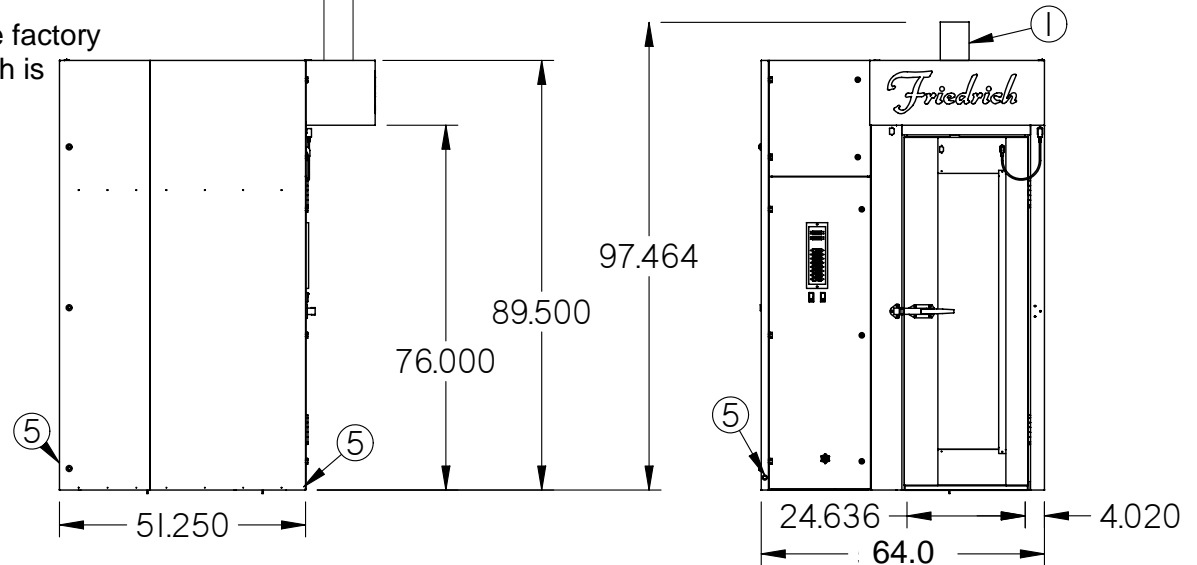
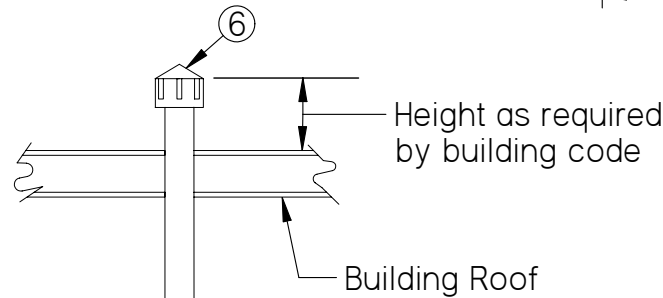
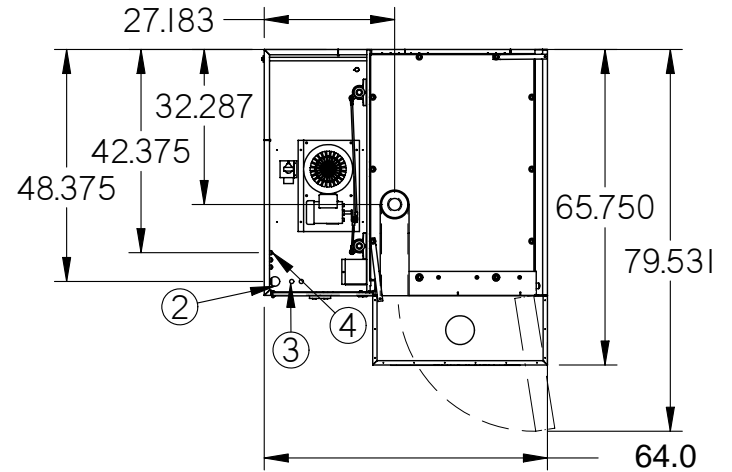


FMP-901-E  
 Single Rack Electric Baking Oven  
 FMP Equipment Corp.  
 Greensboro, NC 27415  
 336-621-2882

**Key**

- 1 - Hood Exhaust 8.00 Diameter
- 2 - 3 Ph. Electric Service  
 240/480 Volt\*  
 120/60 Amp\*  
 \*240V **OR** 480V to be specified upon order entry  
 60 Hz.
- 3 - 1 Ph. Electric Service  
 120 Volt, 60 Hz  
 20 Amp dedicated circuit  
 Oven Control: 3 Amp (Clean Power)  
 Ventilator connect point: 10 Amp, 1/3 HP
- 4 - Water Service 1/4" NPT  
 Cold Water @ 45 PSI min. @ 4.5 GPM flow rate
- 5 - Choose lower left or rear corner drain.  
 Route to air gap drain
- 6 - Powered Hood Exhaust W / Downdraft Preventive Cap  
 750 CFM Reqd. (.5" w.c. static pressure drop through hood)  
 Customer to supply duct and ventilator fan per local code. Consult local authorities to determine whether TYPE I (meats) or TYPE II (no grease) duct and ventilator fan will be required. Chamber vents are factory ducted to this integral hood. Airflow proving switch is factory installed.
- 7 - Weight Approximately 1550 Lbs.

**CAUTION:**  
 - Use **ONLY** on specially constructed noncombustible floors. See Installation Instructions  
 - Exhaust Duct Installation **MUST** be in accordance with NFPA 96 and/or Local Codes.



NOTE: Purchaser is responsible for all installation costs and for providing:  
 Labor to unload oven upon arrival.  
 Installation Mechanics.  
 All local service connections including:  
 electricity, vents, water & drain per local code.

**A FACTORY TECHNICIAN OR FACTORY AUTHORIZED INSTALLATION TECHNICIAN MUST SUPERVISE AND / OR APPROVE ANY INSTALLATION!**